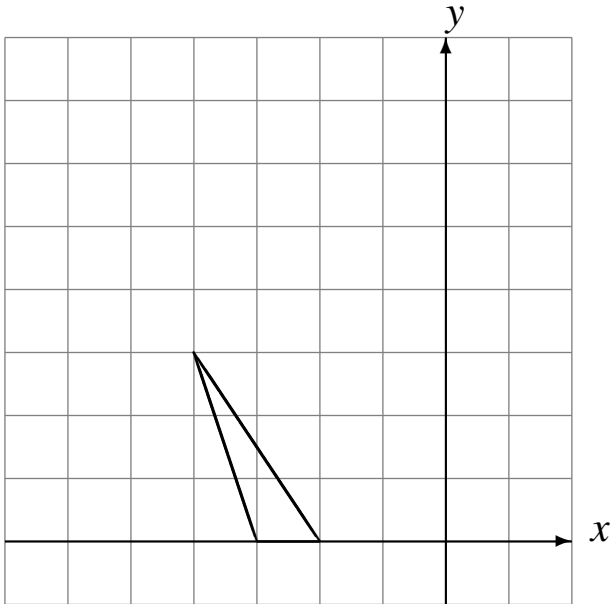


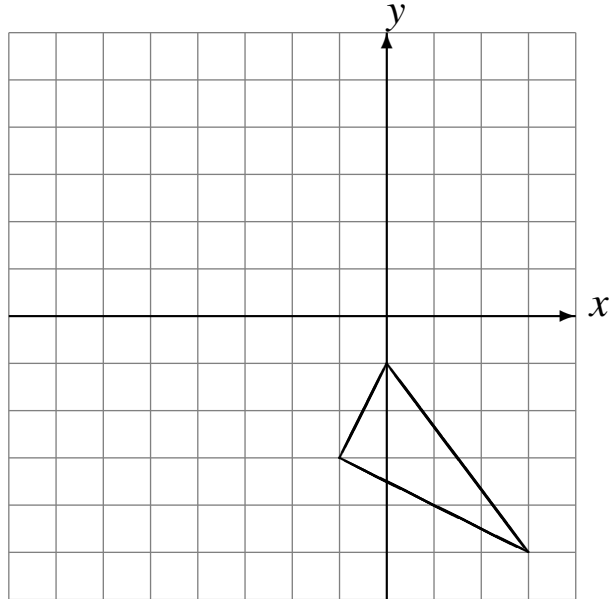
Translations (A)

Draw each translated image.

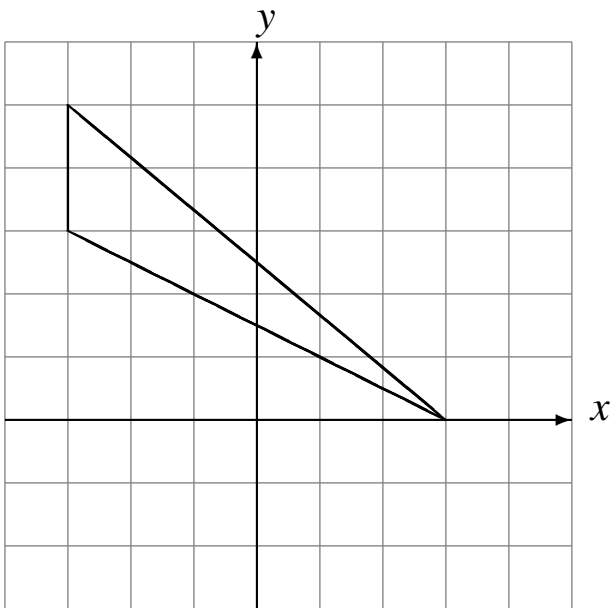
Translate by $(-2, 4)$.



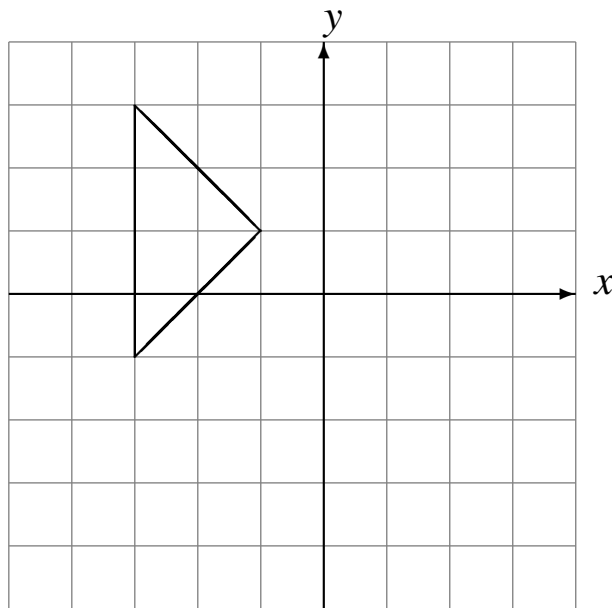
Translate by $(-6, 5)$.



Translate by $(0, -2)$.



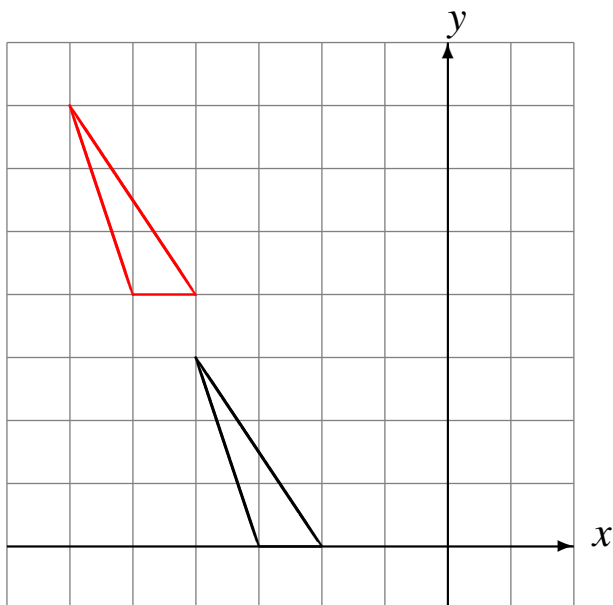
Translate by $(3, -3)$.



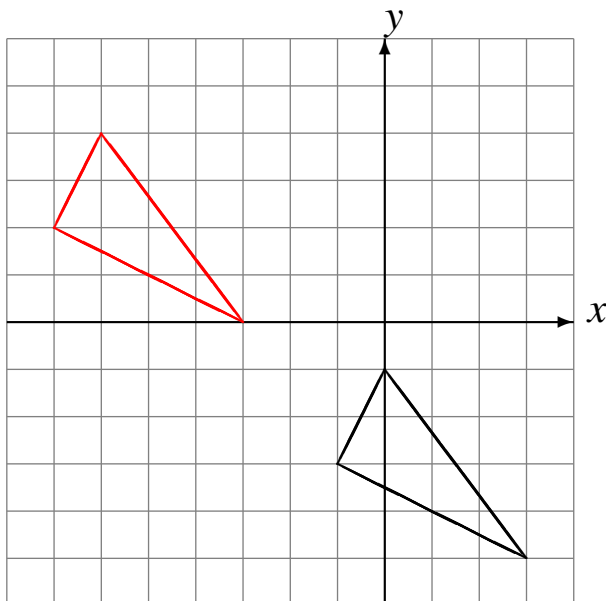
Translations (A) Answers

Draw each translated image.

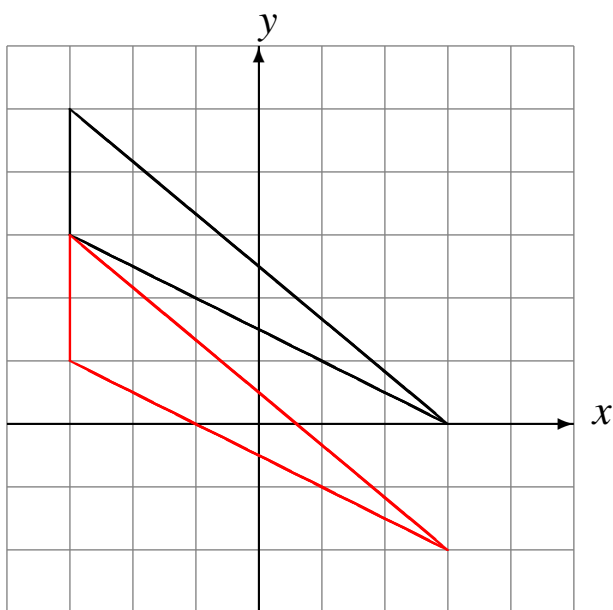
Translate by $(-2, 4)$.



Translate by $(-6, 5)$.



Translate by $(0, -2)$.



Translate by $(3, -3)$.

